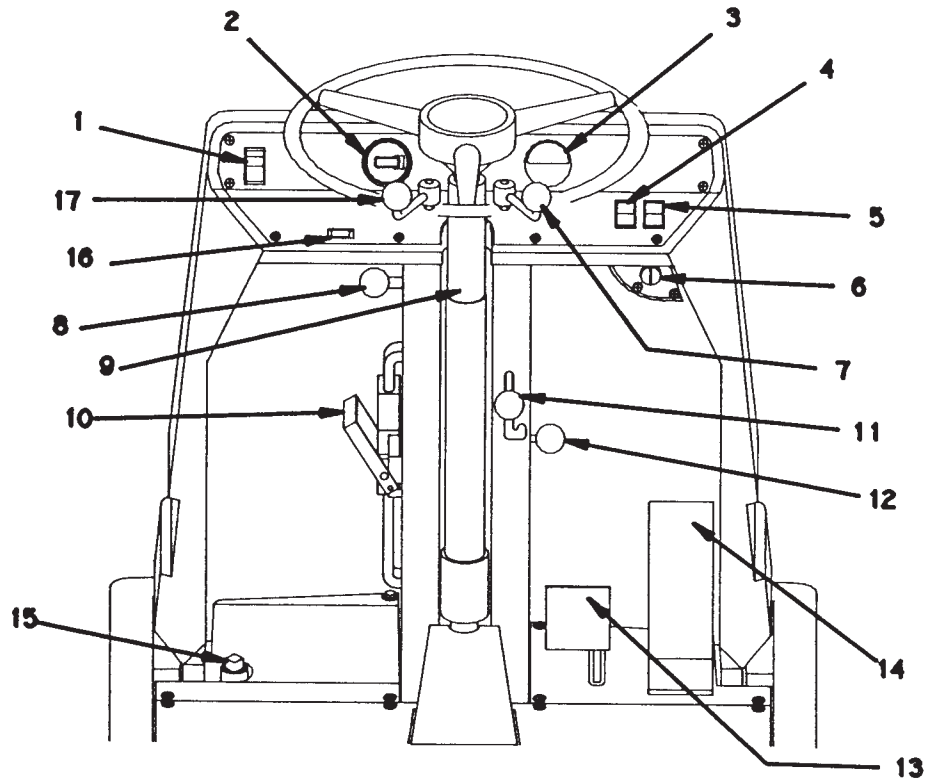


# Minuteman<sup>®</sup>

## 340 Sweeper/Scrubber Recycling System



16. Recycling Indicator Light

Indicates adequate amount of water/solution to be filtered into the recycling system.

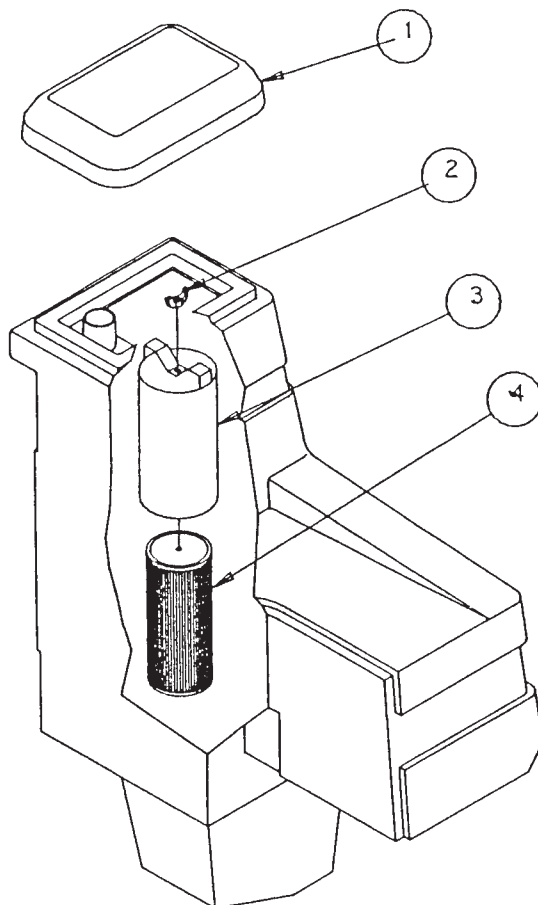
17. Recycling Control

Regulates the flow of recycled water/solution.

**CAUTION:** Familiarity with controlling this machine is essential before entering areas which contain equipment and/or people.

Other corresponding numbers not indicated on this insert can be found on Page 2 of the 340 Sweeper/Scrubber Parts & Instructions Manual.

# 340 Sweeper/Scrubber Maintenance on the Recycling System



Item	Part No.	Qty.	Description
1	340006	1	Recovery - Tank Cover
2	711369	1	Nut-Wing 5/16-18
3	340069	1	Cover Recycled Filter
4	340071	1	Filter 340 Recycle

Recycling filter should be removed for regular maintenance. Just remove the filter and clean with water and after it is dry reinstall.

## ***Minuteman***<sup>®</sup>

**World Headquarters**  
Minuteman International, Inc.  
111 South Rohlwing Road  
Addison, Illinois 60101

Minuteman Canada, Inc.  
2210 Drew Road  
Mississauga, Ontario  
L5S 1B1

(630) 627-6900  
FAX (630) 627-1130

(905) 673-3222  
FAX (905) 673-5161

988164  
Printed in U.S.A.